



Rotary sensor for measurement ranges up to 360° with ability to program analogue versions of ±15° steps.

Contactless Hall technology for almost infinite sensor life due to absence of wear on the sensing element.

Various configurations make the product easy to install on vehicles.

High IP protection level, resistance to shock and vibration, and high electromagnetic compatibility make these products suitable for many mobile hydraulics applications.

Developed to ensure a robust and high-performance solution for applications such as agricultural machines, construction machines, material handling equipments.

TECHNICAL DATA

Measurement range

±180° different values on request programmable in steps of ±15° (ONLY for analogue versions)

Supply voltage

+5Vdc (only for 0.5...4.5Vdc output); +9...+36Vdc (see output signal for right supply voltage)

Output signal

0.5...4.5V Ratiometric (supply +5Vdc); 0.5...4.5V; 0...10V; 4...20mA; CANopen, SAE J1939

Electrical connections

AMP Superseal 6P 282108-1; DEUTSCH 6P DT04-6P

Resolution and speed of rotation

12 bit (analog output); 14 bit (CANopen/SAE J1939 output); 120 rpm max.

Linearity

< ±0.5% FS

Working and coefficient temperature

-40°C ... +85°C (higher values on request); thermal drift < 50 ppm/°C

Vibrations

20g - 10 Hz ... 2000 Hz IEC 60068-2-6

Shock

Impulsive on 3 axes; 50g 11 ms IEC 60068-2-27

Electromagnetic compatibility

2014/30/EU Electromagnetic Compatibility (EMC)

Life

35 M operations (stroke ±75°)

IP Protection level

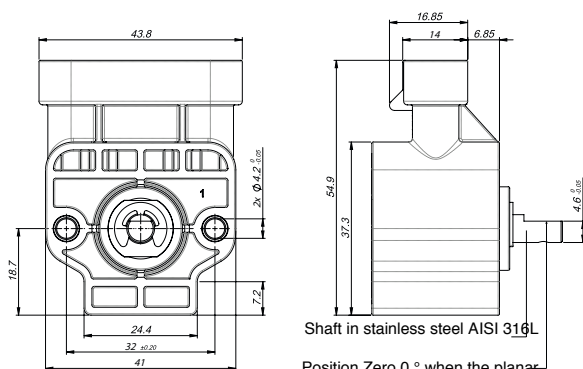
IP67 - IPX9K with female mating connector mounted AMP282090-1 (GRA-A version) and mating connector DT06-6S (GRA-D version)

Housing material

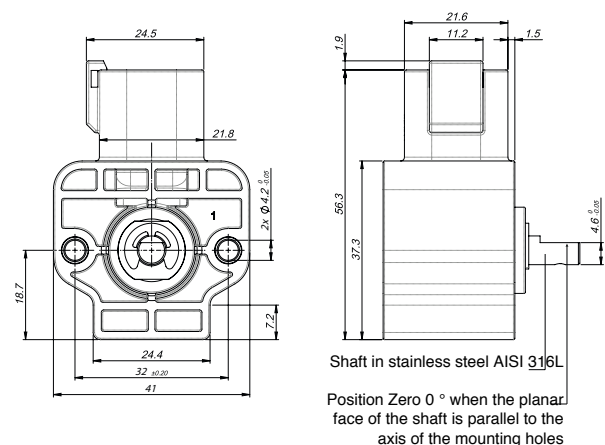
PBT

MECHANICAL DIMENSIONS

AMP VERSION



DEUTSCH VERSION



江门市利德电子有限公司

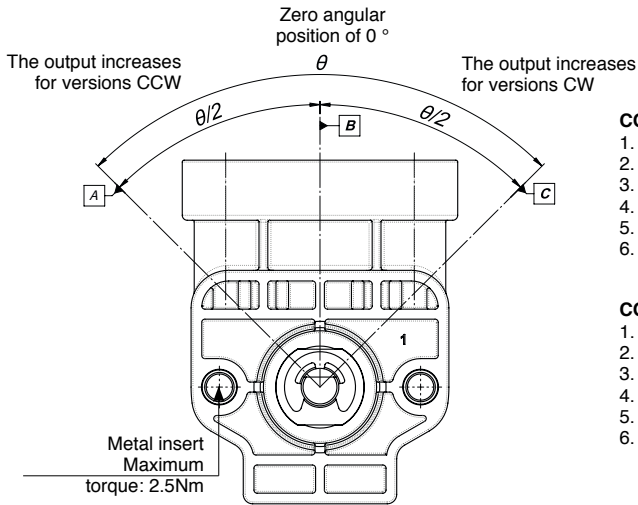
广东省江门市五邑碧桂园翠山聆水二街68号 邮编: (zip)529000

电话: +86 750 3289680 3289698 传真: +86 750 3289699

http://www.leadersensors.com E-mail: leader@leadersensors.com

ELECTRICAL CONNECTIONS

AMP VERSION

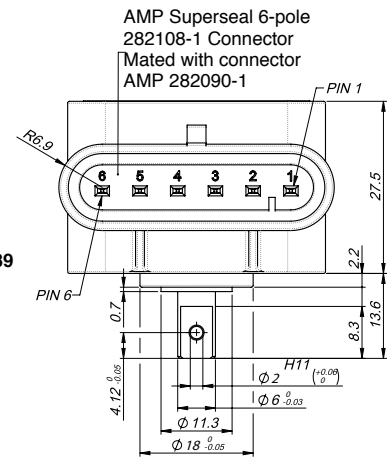


CONNECTIONS

1. GROUND 1
2. + SUPPLY 1
3. OUTPUT 1
4. GROUND 2
5. + SUPPLY 2
6. OUTPUT 2

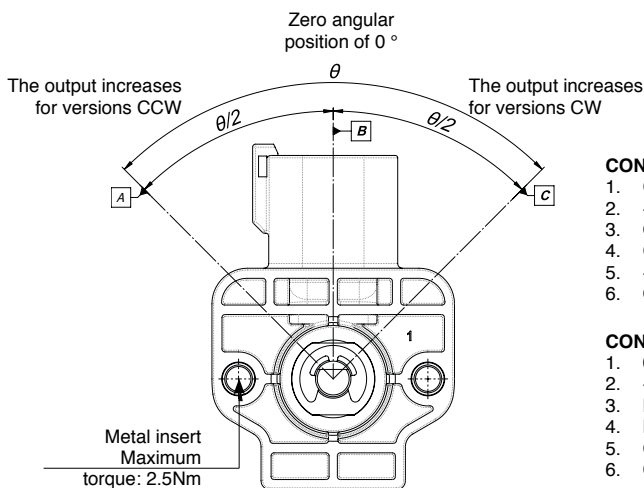
CONNECTIONS - CAN/J1939

1. 0V (GND)
2. + Vs (+9...+36 Vdc)
3. NC
4. NC
5. CAN-L
6. CAN-H



Ref.	CW Output	CCW Output
A	Output: 0.5Vdc	Output: 4.5Vdc
B	Zero angular position of 0°	Zero angular position of 0°
C	Output: 4.5Vdc	Output: 0.5Vdc

DEUTSCH VERSION

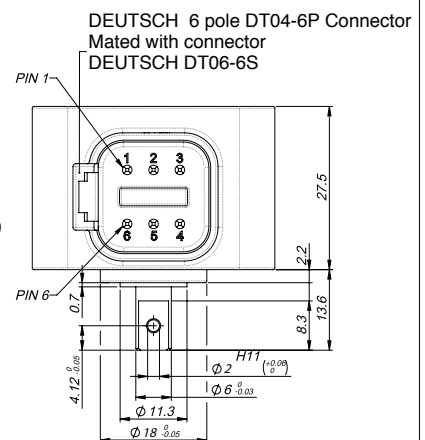


CONNECTIONS

1. GROUND 1
2. + SUPPLY 1
3. OUTPUT 1
4. GROUND 2
5. + SUPPLY 2
6. OUTPUT 2

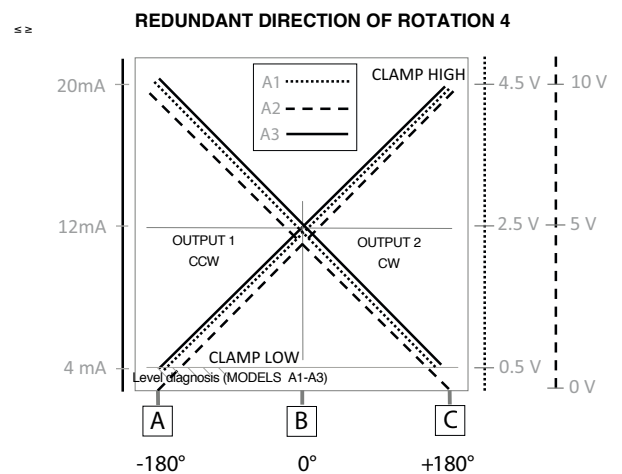
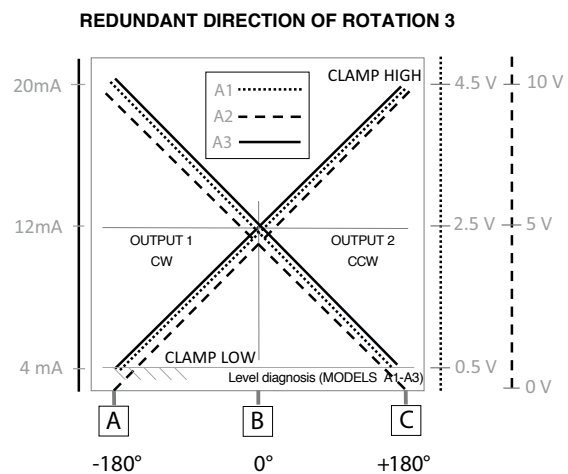
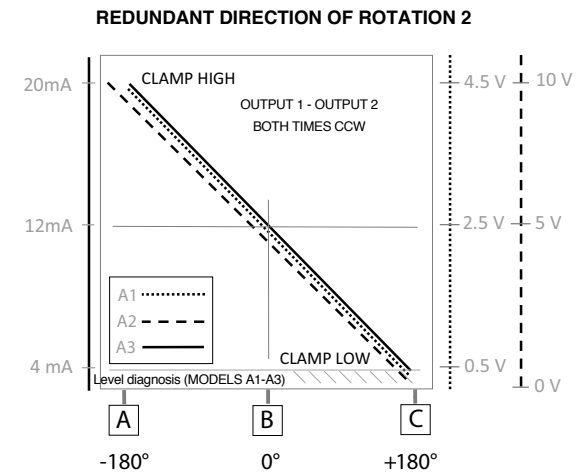
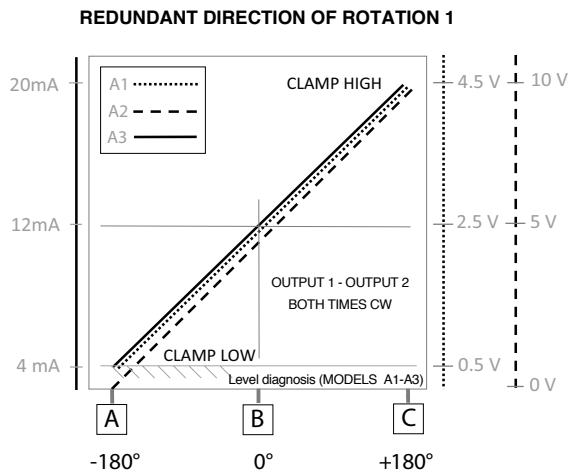
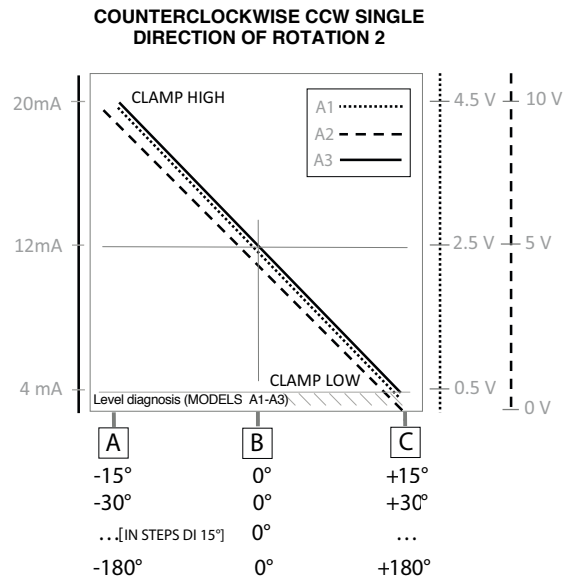
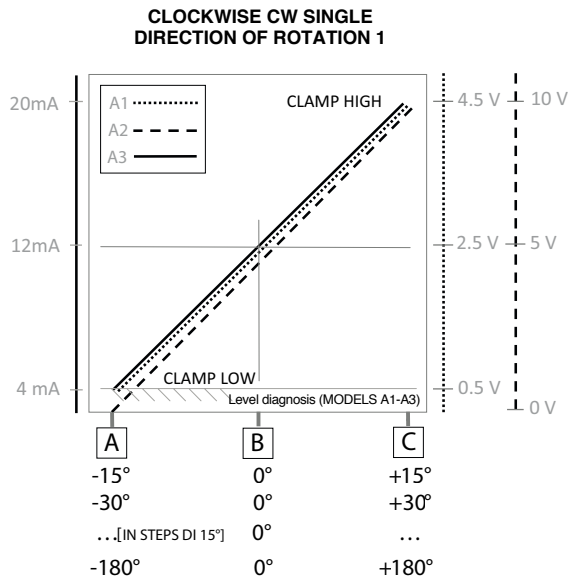
CONNECTIONS - CAN/J1939

1. 0V (GND)
2. + Vs (+9...+36 Vdc)
3. NC
4. NC
5. CAN-L
6. CAN-H



Ref.	CW Output	CCW Output
A	Output: 0.5Vdc	Output: 4.5Vdc
B	Zero angular position of 0°	Zero angular position of 0°
C	Output: 4.5Vdc	Output: 0.5Vdc

FUNCTIONS: SENSOR OUTPUT GRAPH



LOAD CONDITIONS

+0.5Vdc...+4.5 Vdc output with power +9...+36Vdc and +0...10Vdc output with power +11...36Vdc: it is recommended a load resistance > 100 KΩ

+0.5Vdc...+4.5 Vdc output with power +5 Vdc: it is recommended a load resistance > 10 KΩ

+4...20 mA output with power < + 15...36Vdc: the maximum load resistance is admissible 200Ω

+4...20 mA output with power > + 15...36Vdc: the maximum load resistance is admissible 500Ω

ORDERING CODE

ELECTRICAL CONNECTIONS	
AMP Superseal 6P connector output	A
Deutsch 6P connector output	D

CIRCUIT TYPE	
Single	S
Redundant (only for analog outputs)	R

ANGLE/CHANNEL 1 (output for single channel)	
(analogue output A1-A2-A3 programmable in steps of $\pm 15^\circ$)	xxx

ANGLE/CHANNEL 2 (only for redundant versions)	
(analogue output A1-A2-A3 programmable in steps of $\pm 15^\circ$)	xxx

SUPPLY VOLTAGE	
+5Vdc (only for A1 output)	L
+9...+36Vdc (see output signal for right supply voltage)	H

OUTPUT TYPE	
+0.5...+4.5Vdc output (available with supply L = ratiometric output and with supply H = 0.5...4.5V output)	A1
0...+10Vdc output (powered at +11...36Vdc)	A2
4...20mA output (powered at +9...36Vdc)	A3
CANopen output (powered at +9...36Vdc) (available in single version with $\pm 180^\circ$ measurement range)	C1
SAE J1939 (powered at +9...36Vdc) (available in single version with $\pm 180^\circ$ measurement range)	C2

ROTATION DIRECTION	
clockwise CW (single) both clockwise CW (redundant or CAN/J1939)	1
counterclockwise CCW (single) both counterclockwise CCW (redundant or CAN/J1939)	2
CHANNEL 1 clockwise CW and CHANNEL 2 counterclockwise CCW (only for redundant version and CAN/J1939)	3
CHANNEL 1 counterclockwise CCW and CHANNEL 2 clockwise CW (only for redundant version and CAN/J1939)	4

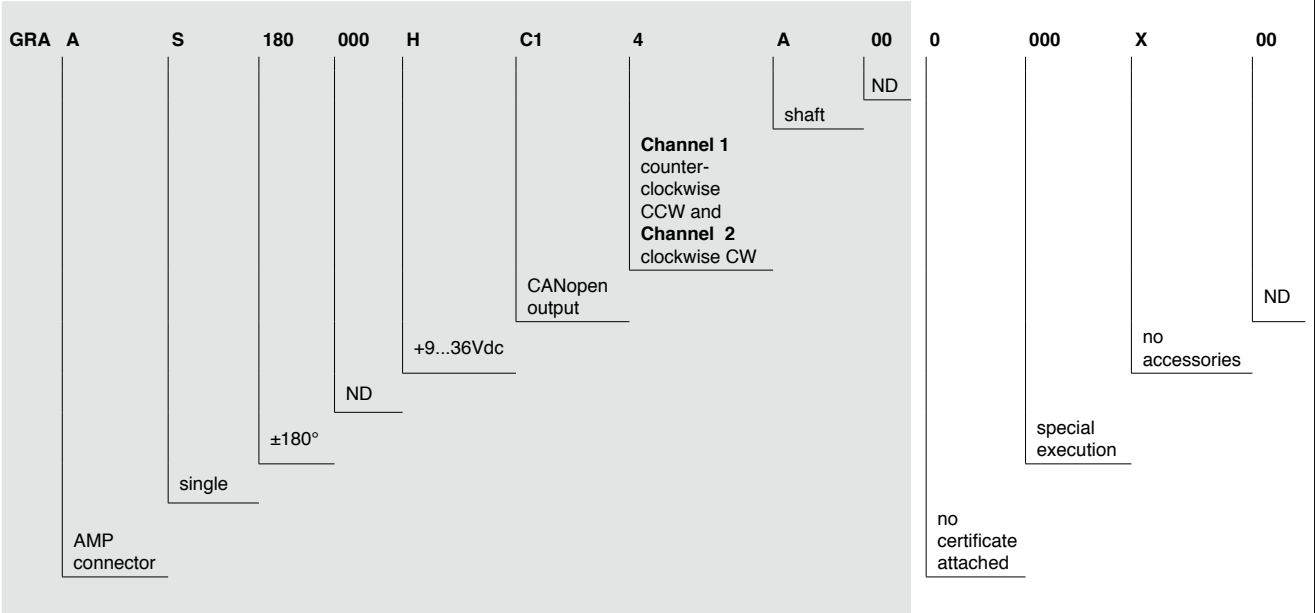
ACTUATOR	
Shaft	A

CERTIFICATE	
0	No certificate attached
L	Linearity curve to be attached

ACCESSORIES	
X	No accessories

ORDERING CODE

EXAMPLE OF DESCRIPTION: GRAAS180000HC14A00 000X00



江门市利德电子有限公司

广东省江门市五邑碧桂园翠山聆水二街68号 邮编：(zip)529000

电话：+ 86 750 3289680 3289698 传真：+ 86 750 3289699

GEFRAN spa reserves the right to make any kind of design or functional modification at any moment without prior notice