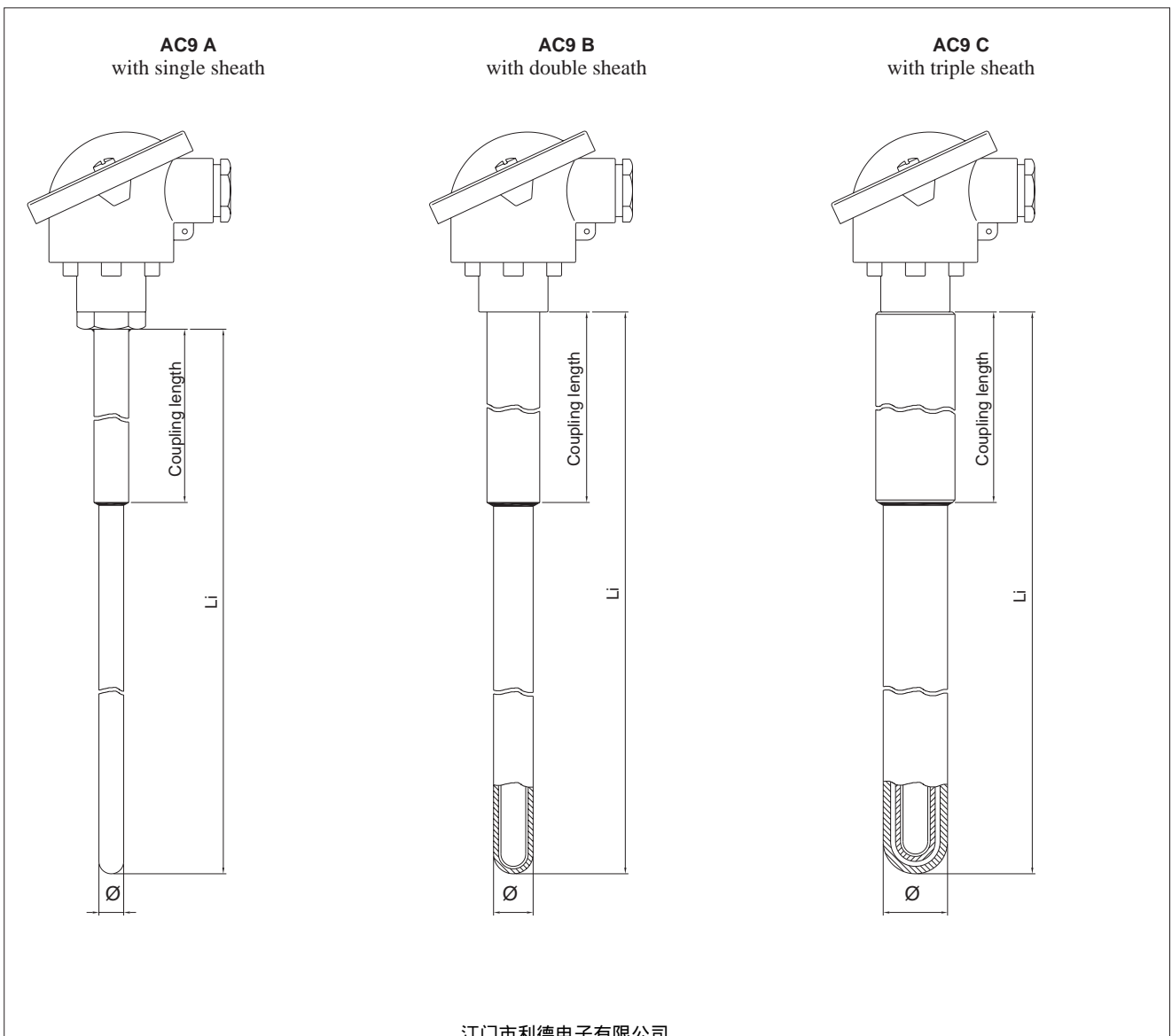




Main features

- Amplified output signal
- Temperature limits:
 - 40 ... + 1200° C for type K
 - 0 ... + 1400° C for type S - R
 - +600 ... + 1600° C for type B
 - (see table for sheath diameters)
- Tolerance (IEC standard 584.2/Class 1):
 - for type K: $\pm 2.5^{\circ} \text{C}$ (- 40 ... + 333° C)
 - $\pm 0.0075 \times [t]$ ($t > + 333^{\circ} \text{C}$)
 - for type S, R, $\pm 1^{\circ} \text{C}$ 0...+1100
 - $\pm [1+0,003 \times (t-1100)]^{\circ} \text{C} + 1100...+1600^{\circ} \text{C}$
 - for type B: $+600^{\circ} \text{C} \dots + 1700^{\circ} \text{C}$
 - $\pm 0.0025 \times [t]$
- Ceramic insulation of the thermocouple element
- Application versatility

MODELS



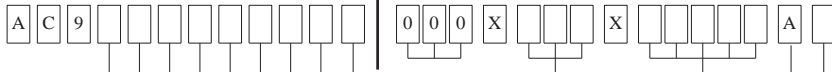
江门市利德电子有限公司

广东省江门市五邑碧桂园翠山聆水二街68号 邮编: (zip)529000

电话: + 86 750 3289680 3289698 传真: + 86 750 3289699

<http://www.leadersensors.com> E-mail: leader@leadersensors.com

ORDER CODE



CODE

Model (*)	
With single sheath	A
With double sheath	B
With triple sheath	C

(*)
 "A" available with ext. sheath Ø 10-16mm
 "B" available with ext. sheath Ø 16-26mm
 "C" available with ext. sheath Ø 26mm

Element + Hot Junction	
Single Insulated	1
Double Insulated	3

Thermocouple Type	
Ni/Cr - Ni/Al	K
Pt 10% Rh - Pt	S
Pt 30% Rh - Pt 6% Rh	B
Pt 13% Rh - Pt	R

Connection Head	
DIN B	C
DIN A	D
DIN BUS	E
DIN BUZ H	I *

(*) To be used for double element

Sheath Material	
KER 530 - Sillimantini	I *
KER 610 - Pytagoras	L
KER 710 - Al203 99.7%	M

(*) Available for ext. Ø 26mm for B and C models only

Sheath Diameter (mm)	
10	K
16	O
26	S

Int. Sheath Material (*)	
KER 610 - Pytagoras	L
KER 710 - Al203 99.7%	M

(*) Available for B and C models only
 "0" = no sheath

Intermediate Sheath Material (*)	
KER 610 - Pytagoras	L
KER 710 - Al203 99.7%	M

(*) Available for B and C models only
 "0" = no sheath

TC Wire ø (*)	
0.35	A
0.5	B

(*) Option for thermocouples with S, B, R element only

Certificates	
A	Conformity Report
R	Calibration Report
T	SIT Certificate

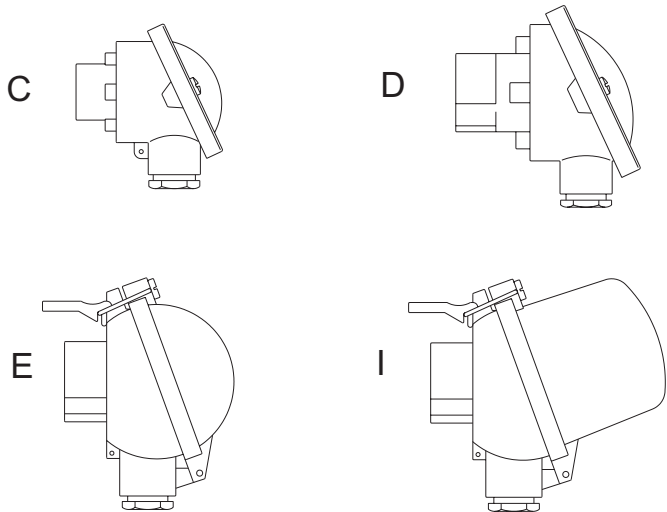
LENGTHS AND ACCESSORIES

Type of Transmitter	
A	4 ÷ 20mA

Li = Immersion Length (mm)	
Standard length from 200 to 2000mm with 50mm step	

Coupling Length (mm)	
Standard lengths	
70mm for sheaths from 100 to 350mm	
100mm for sheaths from 400 to 650mm	
200mm for sheaths superior to 650mm	

Temperature range in which the calibration has to be made	
T. min	T. max
<input type="text"/> °C	<input type="text"/> °C
<input type="text"/> 4mA	<input type="text"/> 20mA



Sensors amplifiers are manufactured in compliance with:
 - EMC 2004/108/CE compatibility directive
 - RoHS 2002/95/CE directive

Electrical installation requirements and Conformity certificate are available on our web site: www.gefran.com