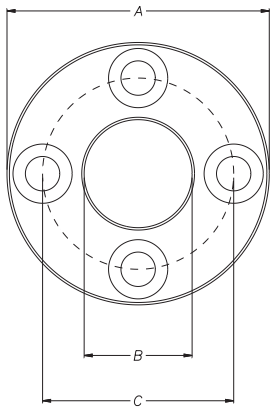


### FLOATING CURSORS



#### PCUR022

##### DIMENSIONS

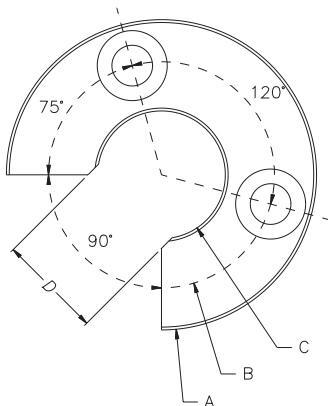
Diameter A = 32.8 mm  
Diameter B = 13.5 mm  
Diameter C = 23.9 mm  
Thickness = 7.9 mm

##### MATERIAL

Aluminum

##### ENCLOSURES

N°8 Brass nuts M4  
N°8 Brass washers D4  
N°4 Brass screws M4x25



#### PCUR023

##### DIMENSIONS

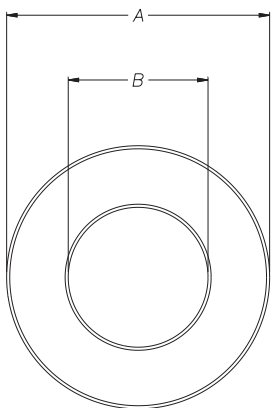
Diameter A = 32.8 mm  
Diameter B = 13.5 mm  
Diameter C = 23.9 mm  
Thickness = 7.9 mm

##### MATERIAL

Aluminum

##### ENCLOSURES

N°4 Brass nuts M4  
N°4 Brass washers D4  
N°2 Brass screws M4x25



#### PCUR024

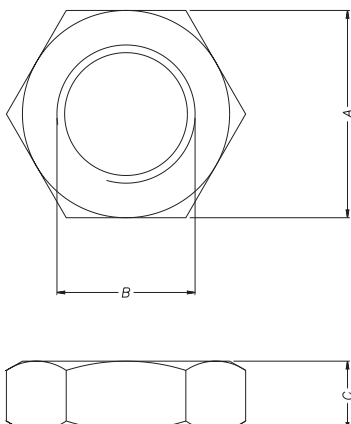
##### DIMENSIONS

Diameter A = 25.4 mm  
Diameter B = 13.5 mm  
Thickness = 7.9 mm

##### MATERIAL

Aluminum

### HEXAGON LOCK NUT



MODEL	FLA002	FLA003
Height A	CH 27	
Thread B	M 18 x 1.5	3/4" -16 UNF
Height C	mm	9
Material	AISI 316 steel	

江门市利德电子有限公司

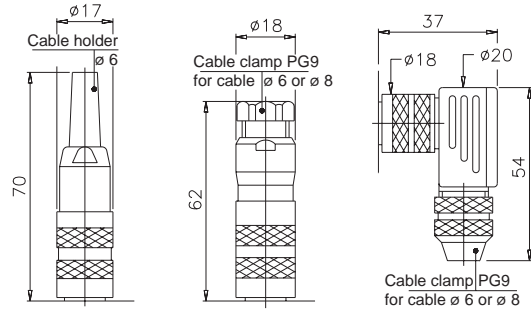
广东省江门市五邑碧桂园翠山聆水二街68号 邮编: (zip)529000

电话: + 86 750 3289680 3289698 传真: + 86 750 3289699

http://www.leadersensors.com E-mail: leader@leadersensors.com

## CONNECTORS

For versions IK1 B only 6-pin DIN 45322 output  
**Non-isolated**



**CON 021**  
IP40 EMV

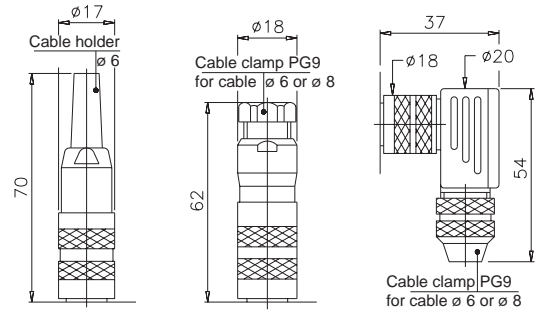
**CON 022**  
IP67 EMV

**CON 023**  
IP67 EMV

Connector extraction length 10 mm

## CONNECTORS

for versions IK1 C only 8-pin DIN 45326 output  
**isolated**



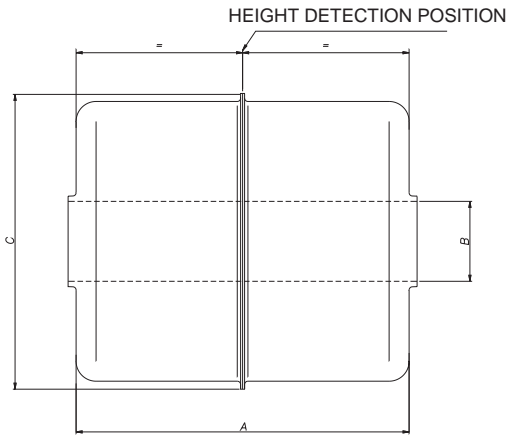
**CON 026**  
IP40 EMV

**CON 027**  
IP67 EMV

**CON 028**  
IP67 EMV

Connector extraction length 10 mm

## FLOATING CURSORS FOR LIQUIDS

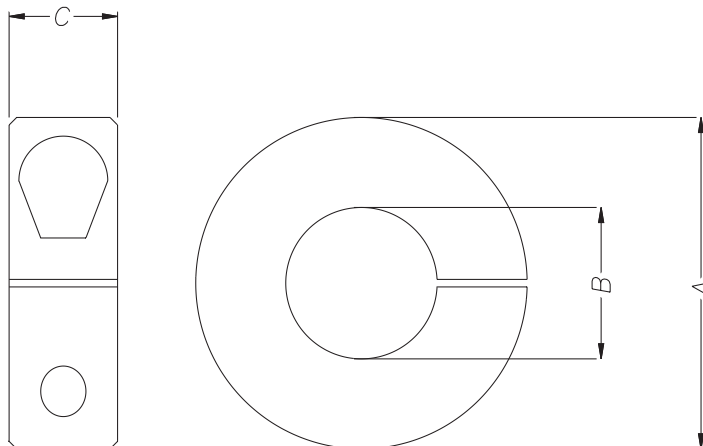


MODEL		PCUR026	PCUR027
Length A	mm	52.4	
Diam. B (Hole)	mm	12	15
Diam. C	mm	42	
Material	AISI 316 steel		

**Note:**

The supply for cursors PCUR026 and PCUR027 includes float stop kit PKIT036

## FLOAT STOP PKIT036



**DIMENSIONS**

Diameter A = 22 mm  
Diameter B = 10.5 mm  
Diameter C = 7.2 mm  
Thickness = 7.9 mm

**MATERIAL**

AISI 316 steel

**ENCLOSURES**

N°1 Washer AISI316 D3  
N°1 Screw AISI316 M3x8

code: **MIM518**

code: **MIM849**